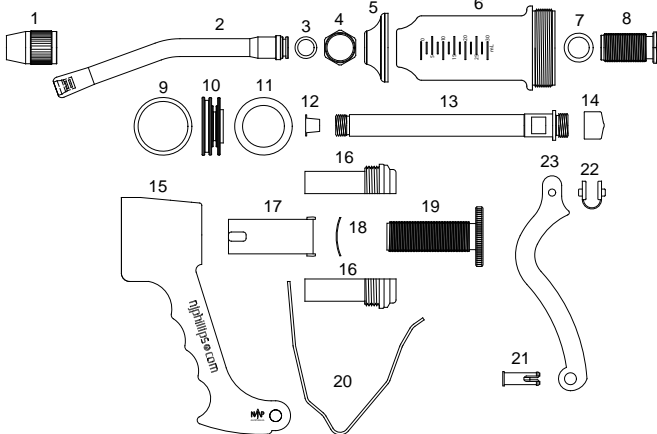




- Fills through the nozzle.
- Variable dose settings.
- Valveless technology.
- Robust plastic construction.
- Designed for use with small herds.
- Ergonomic 'ripple-grip' handle.



PARTS BREAKDOWN



- | | |
|-----------------------------------|----------------------------------|
| 1. Nozzle Lock Nut (SN107) | 13. Push Rod (SH201) |
| 2. Cattle Nozzle (TRXN116A) | 14. End Cap (SP1436) |
| 3. Nozzle Seal Ring (SP220) | 15. Handle (SH1074) |
| 4. Delivery Cage Lock Nut (SN456) | 16. Body Plug (SH272) |
| 5. Cylinder Shield Cap (SN408) | 17. Dose Adjustor Sleeve (SH250) |
| 6. Cylinder (SH1079) | 18. Spring Washer (SP197) |
| 7. Delivery Cage Seal Ring (SP98) | 19. Dose Adjustor (SH273) |
| 8. Delivery Cage (SN455) | 20. Return Spring (SP287) |
| 9. Piston O-Ring (SP465) | 21. Lever Pin (SH200) |
| 10. Piston (SH901) | 22. Lever Pad (SP1210) |
| 11. Lubricating Washer (SF33) | 23. Lever (SH198/G4) |
| 12. Plug Insert (SP1122) | |

MODEL	DOSE RANGE	INCREMENTS
60ml	2.5ml – 60ml	2.5ml
Also available in:		
30ml	2.5ml – 30ml	2.5ml
150ml	25ml – 150ml	25ml

KIT NO.	PART NAME	PART NO.
WX1339	Major Service Kit	3,6,7,9,10,11,21,22.
WX1338	Minor Service Kit	3,7,9,10,11.
WX1678	Major Service Kit – Piston	6,9,10,11.
WX1678A	Minor Service Kit – Piston	9,10,11.

PLEASE ORDER BY KIT AND PART NAME



Customise this instrument with your brand colour and logo. Contact us for details.



njphillips.com
Our expertise is in your hands.

LOCKED BAG 8, GOSFORD NSW, AUSTRALIA 2250

P +61 2 4340 2044 F +61 2 4340 1991 | E njp1@njphillips.com.au