

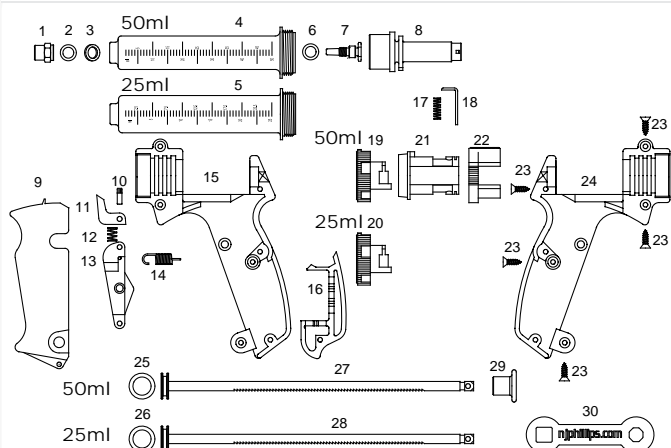
# 25ml & 50ml Plastic Semi-Automatic Injector



- Easy choice of 5 fixed dose settings.
- Cost effective, reliable and durable to save you money.
- Built in needle magazine saves you time.
- Ergonomic fingertip action reduces hand strain.
- Optional polypropylene barrel for increased chemical resistance.



## PARTS BREAKDOWN



1. Luer Lock Needle Nut (SN402)	16. Needle Magazine (SH885)
2. Needle Nut Seal Ring (SP69)	17. Ratchet Plate Spring (SP452)
3. Fibre Seal Washer (SP42)	18. Ratchet Plate (SH1340)
4. 50ml Cylinder (SH393)	19. 50ml Dose Adjustor (SH437)
5. 25ml Cylinder (SH823)	20. 25ml Dose Adjustor (SH822)
6. Delivery Cage Seal Ring (SP69)	21. Dose Adjustor Locking Sleeve (SH436)
7. Luer Lock Mount Delivery Cage (SN401)	22. Release Locking Ring (SH438)
8. Push Rod Guide (SH435)	23. Screw x 5 Per (SP989)
9. Lever (SH881/G4)	24. Left Handle (SH880L/G4)
10. Slide Linkage Pin (SN220)	25. 50ml Piston Seal Ring (SP346)
11. Repeater Pawl (SH883)	26. 25ml Piston Seal Ring (SP887)
12. Pawl Return Spring (RP475)	27. 50ml Push Rod Assembly (SXN229)
13. Lever Arm (SH882)	28. 25ml Push Rod Assembly (SXN385)
14. Return Spring (SP1075)	29. Push Rod End Knob (SH1175)
15. Right Handle (SH880R/G4)	30. Needle Hub Spanner (SH1613)

MODEL	DOSE RANGE	INCREMENTS	CODE
25ml	0.5ml – 25ml	0.5ml	PAS802
50ml	1ml – 50ml	1ml	PAS803
25ml polyprop barrel	0.5ml – 25ml	0.5ml	PAS1356
50ml polyprop barrel	1ml – 50ml	1ml	PAS1357

KIT NO.	PART NAME	PART NO.
WX1111	50ml Cylinder Assembly	1,2,3,4,7,25.
WX1719	50ml Cylinder Assembly	Not illustrated – polypropylene barrel.
WX1433	50ml O-rings	25 (pack of five).
WX999	25ml Cylinder Assembly	1,2,3,4,7,25.
WX1718	25ml Cylinder Assembly	Not illustrated – polypropylene barrel.
WX1434	25ml O-rings	26 (pack of five).
WX1421	4-Pack Coloured Knobs	Picture above.

PLEASE ORDER BY KIT AND PART NAME

## ACCESSORIES



**WX1421**  
INTERCHANGEABLE COLOURED PUSH KNOBS  
FOR EASY PRODUCT IDENTIFICATION



Customise this instrument with your brand colour and logo. Contact us for details.



**njphillips.com**  
Our expertise is in your hands.

LOCKED BAG 8, GOSFORD NSW, AUSTRALIA 2250

P +61 2 4340 2044 F +61 2 4340 1991 | E njp1@njphillips.com.au