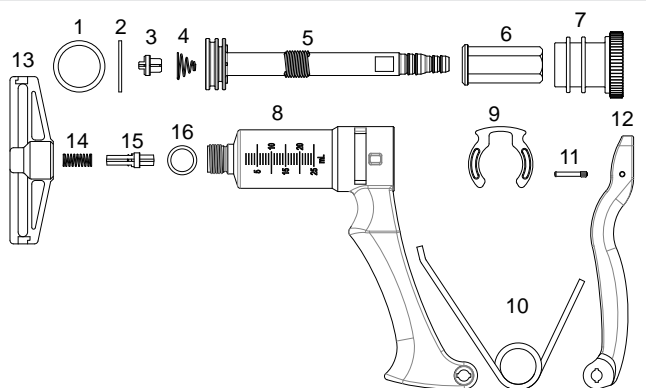




- Designed for Cypermethrin, IGR and other pour-on products.
- High flow valve for quick and easy delivery of product.
- Easy access to the piston and valves for cleaning.
- Variable dose.
- Serviceable with spare parts available and can be easily fitted with different nozzle attachments.



### PARTS BREAKDOWN



- |   |                                 |
|---|---------------------------------|
| 1. Seal Ring (SP723)                    | 9. Retaining Clip (SH1504)      |
| 2. Lubricating Washer (SF32)            | 10. Return Spring (SP1403)      |
| 3. Delivery Valve (SH1447/C4)           | 11. Pin Roll Spring (SP1437)    |
| 4. Valve Spring (SP1475)                | 12. Lever (SH1605/K15)          |
| 5. Pushrod, Piston & Dual Barb (SH1689) | 13. T-Bar Nozzle (SXM436)       |
| 6. Dose Adjustor Sleeve (SH606)         | 14. Delivery Valve Spring (SP2) |
| 7. Dose Adjustor (SH1519)               | 15. Valve (SH130)               |
| 8. Handle (SH1608/K15)                  | 16. Handle Seal Ring (SP340)    |

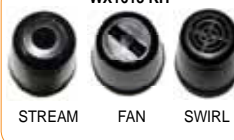
MODEL	DOSE RANGE	INCREMENTS
25ml	1ml – 25ml	1ml

### NOZZLES AVAILABLE

#### POUR-ON



#### WX1613 KIT



#### WX1612 KIT



### SUITABLE FOR USE WITH

\* **MAGNUM®** Magnum® is a registered trademark of Schering-Plough Animal Health Corporation.



\* NJ Phillips takes no responsibility for any changes made to pharmaceutical products listed under "Suitable for Use With" which may cause an instrument to work other than expected, as changes in chemical composition may effect components of an instrument.

KIT NO.	PART NAME	PART NO.
WX1611	Pour-On Minor Service Kit	1,2,3,4,14,15,16.
WX1612	Spray Head Spares Kit	13,14,15.
WX1613	Hyflow Pour-On Nozzle Kit (4 assorted tips: fan, shower, spot and spray.)	See 'Nozzles Available'.
WX1629A	Feed Tube Adaptor Kit	Not shown.

PLEASE ORDER BY KIT AND PART NAME



Customise this instrument with your brand colour and logo. Contact us for details.



**njphillips.com**  
Our expertise is in your hands.

LOCKED BAG 8, GOSFORD NSW, AUSTRALIA 2250

P +61 2 4340 2044 F +61 2 4340 1991 | E njp1@njphillips.com.au